

GRP storage cabinet: DMO-11

Dräger Marine & Offshore cabinets are designed for tough offshore conditions. Manufactured from durable GRP material, these cabinets are rated to IP56, certified by Lloyds. All cabinets are manufactured with stainless steel locks and hinges. The cabinets can be configured to suit different storage requirements.



Features

Room to store

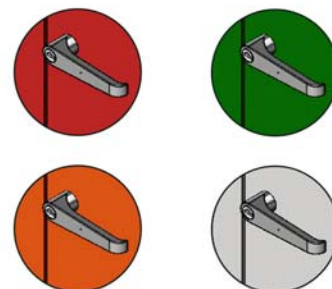
- Basket stretchers / Scoop stretchers
- First aid kit
- Stretcher blankets
- Safety torches
- Radio's
- Rescue materials

Options

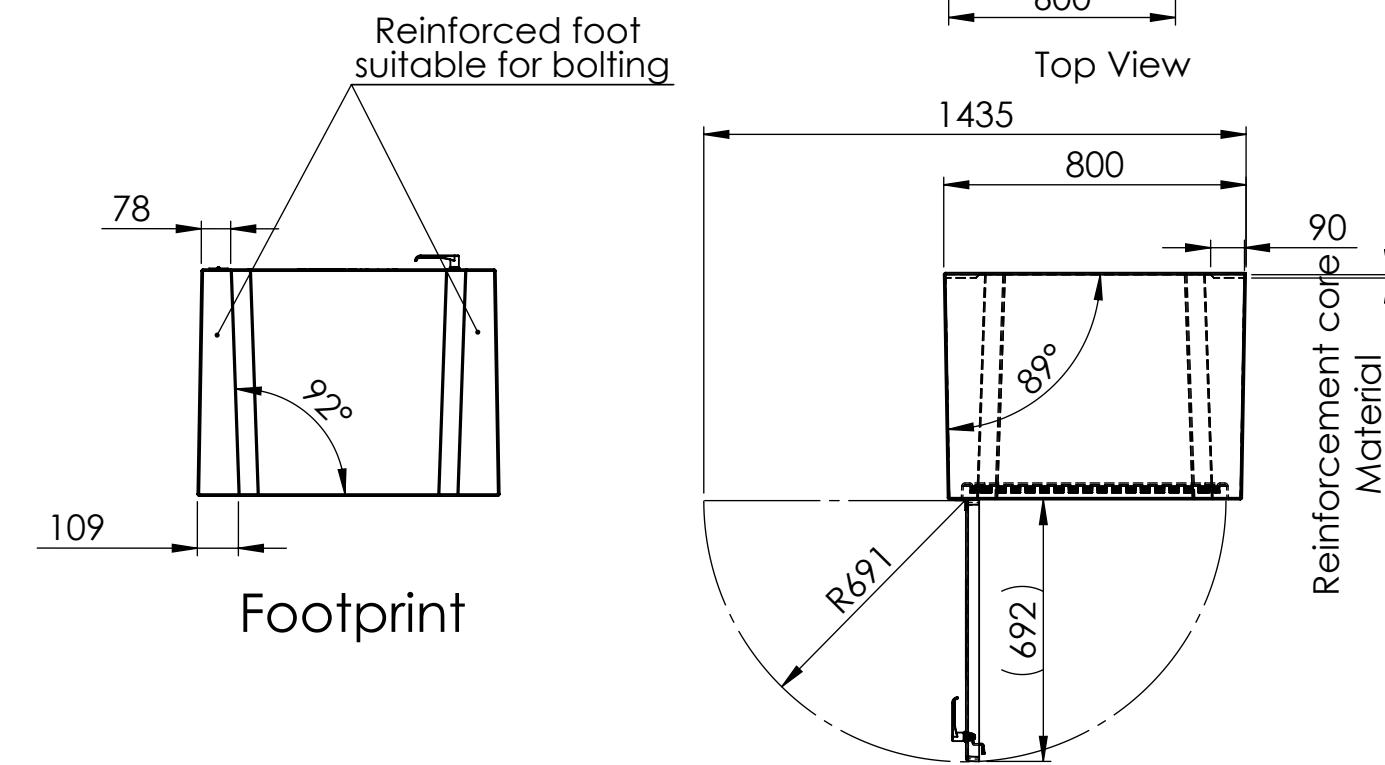
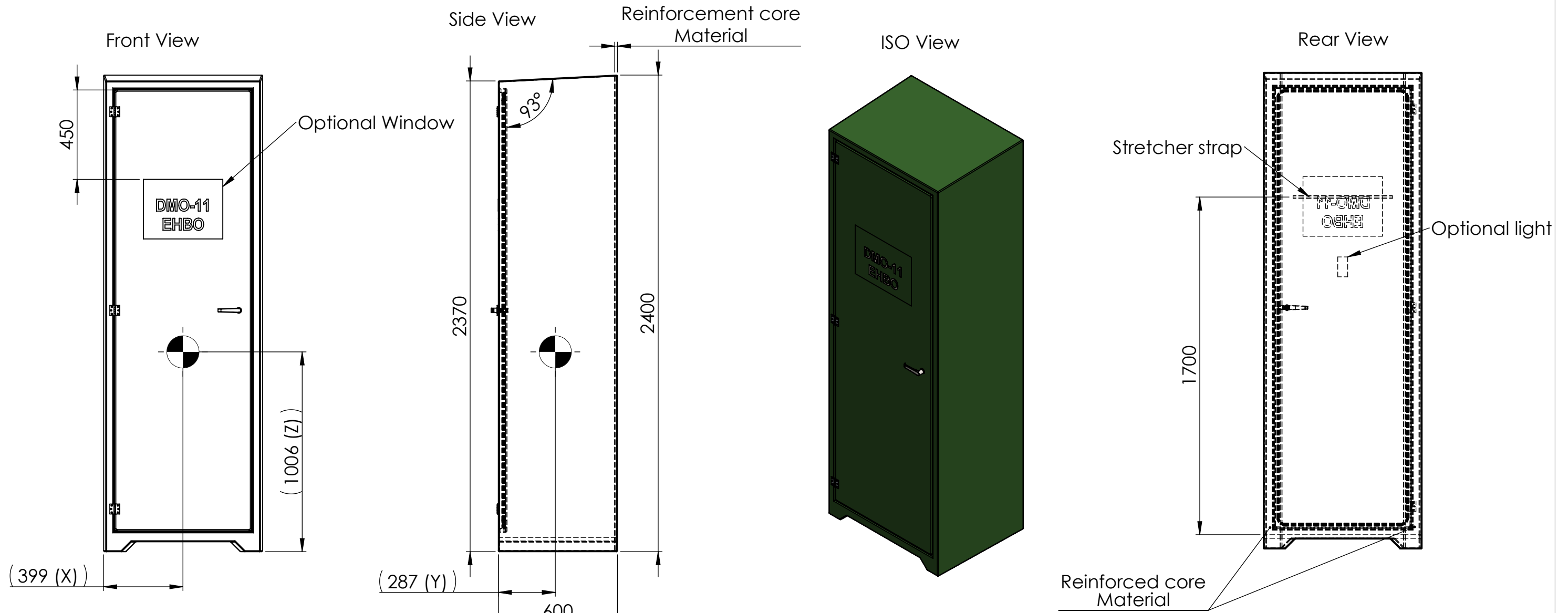
- Shelves
- Ventilation
- Flame retardant version
- Heaters (conventional / ATEX approved)
- Lighting (conventional / ATEX approved)
- Lettering

TECHNICAL SPECIFICATIONS

| | |
|-----------------------|---|
| Dimensions | 800 x 600 x 2400 mm (WxDxH) |
| Aperture dimensions | 615 x 600x 2150 mm (WxDxH) |
| Angle of door opening | 90° |
| Weight | 50 kgs |
| Material | GRP |
| Colour | Safety Green RAL 6002 Firefighting Red RAL 3000 Safety Orange RAL 2009 Lifesaving White RAL 9010 |
| IP rating | IP56 |
| Door catch | Nylon |
| Door handle | SS 316 |
| Hinges | SS 316 |
| Seal | EPDM |
| Reinforcement | Core material |
| Lettering | White |
| Approvals | IP56 BS EN 60529:1992 Lloyds |



GRP storage cabinet: DMO-11
IP56 rated and Lloyds certified



| | |
|------------------------------|-----------------------------------|
| Colour | RALxxxx |
| Material | 3-4mm GRP |
| Lock and hinges | Stainless steel |
| Weight cabinet | xxKg |
| Weight cabinet incl. content | Invulbaar |
| C.O.G. | X 399 / Y 287 / Z 1006 from datum |
| Text on cabinet | Invulbaar |
| Tag on cabinet | Invulbaar |
| Mounting instructions | Invulbaar |

Storage for

| | | | |
|---|-----------------|-----------|----------------|
| Dräger | Date | Name | SW Filename |
| | Drawn 13-2-2023 | B.S. | DMO-11_00 |
| Dräger Nederland B.V. Marine & Offshore Beurtschipperstraat 1 3194 DK, Hoogvliet-RT the Netherlands | | Comments: | +31 10 2952772 |

| | | | | | |
|-------------|------------|----------------|---------|--------|---------|
| Scale: 1:20 | Projection | Description: | Art.Nr: | Sheet | Format: |
| Units: mm | | DMO Cabinet 11 | DMO_11 | 1 of 5 | A3 |