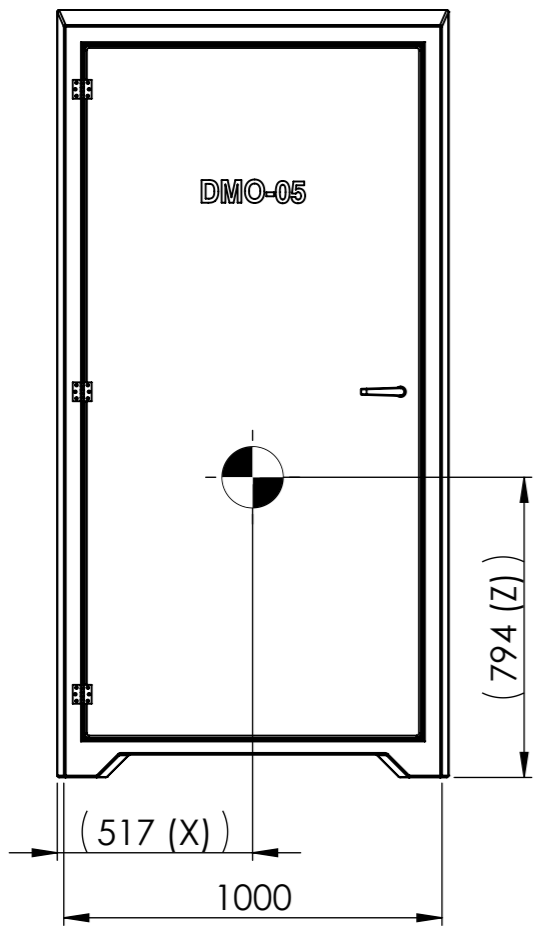
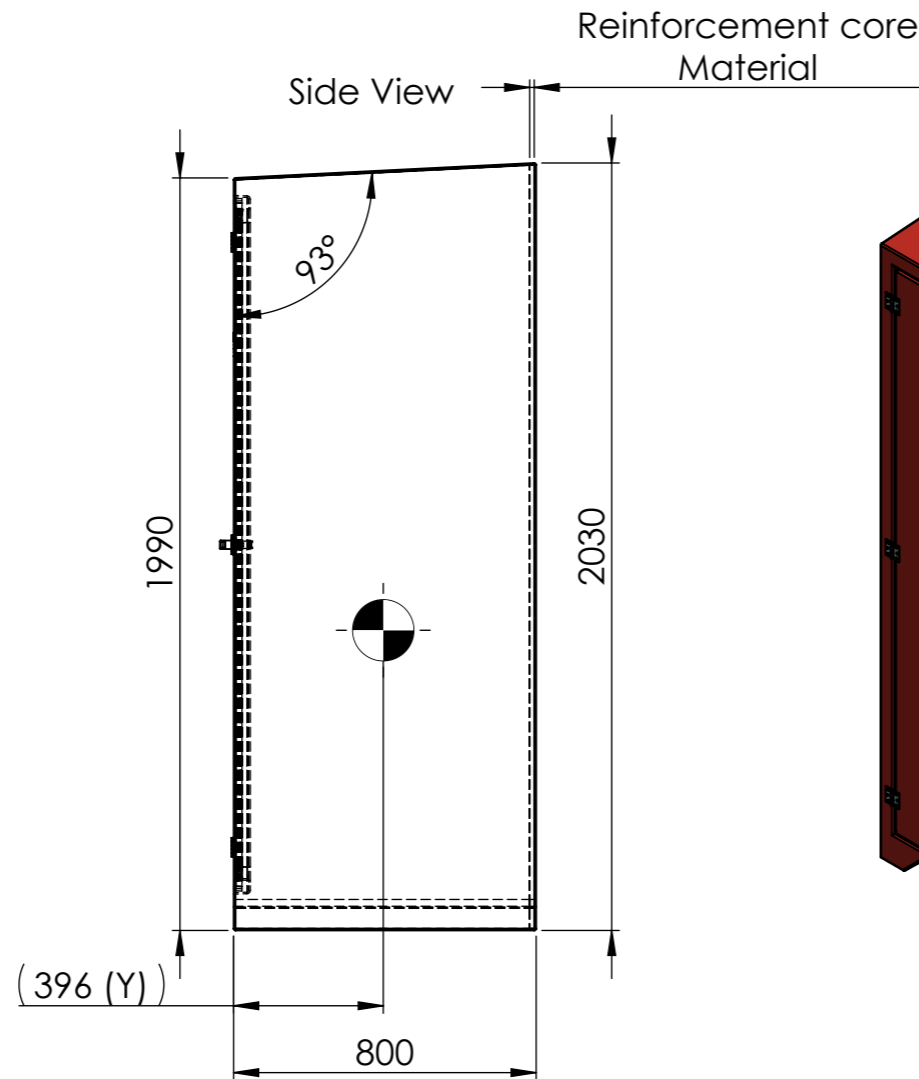


Front View



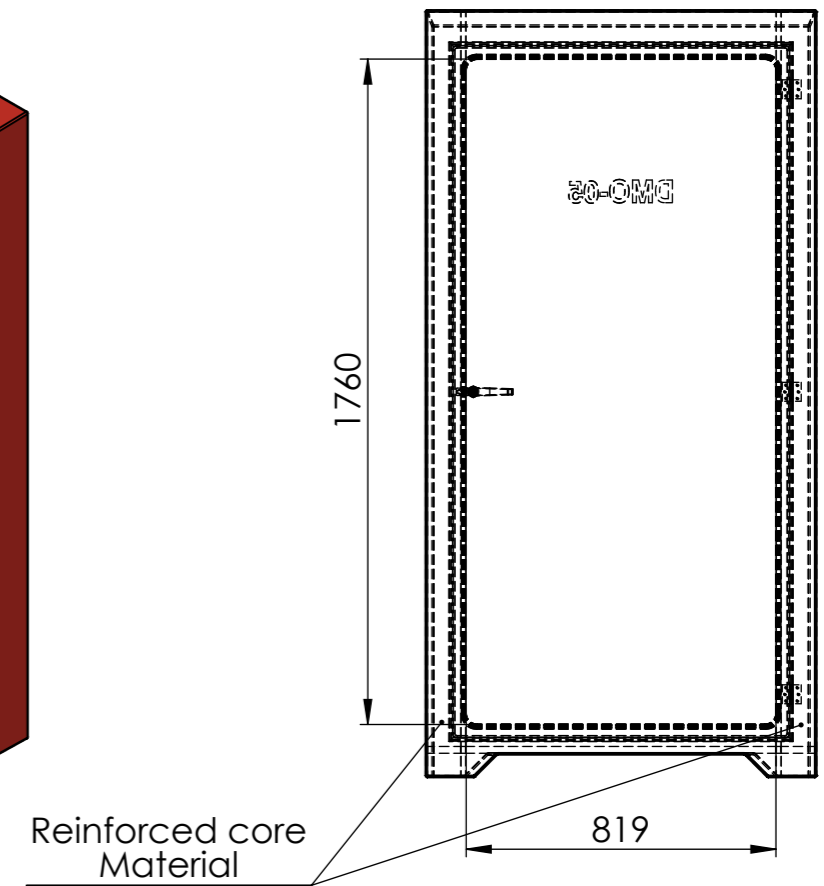
Side View



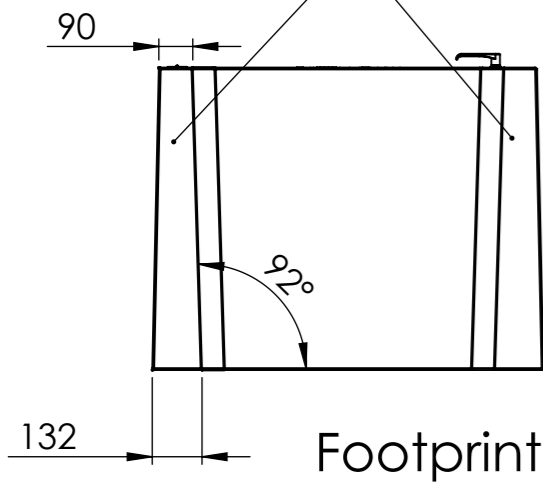
ISO View



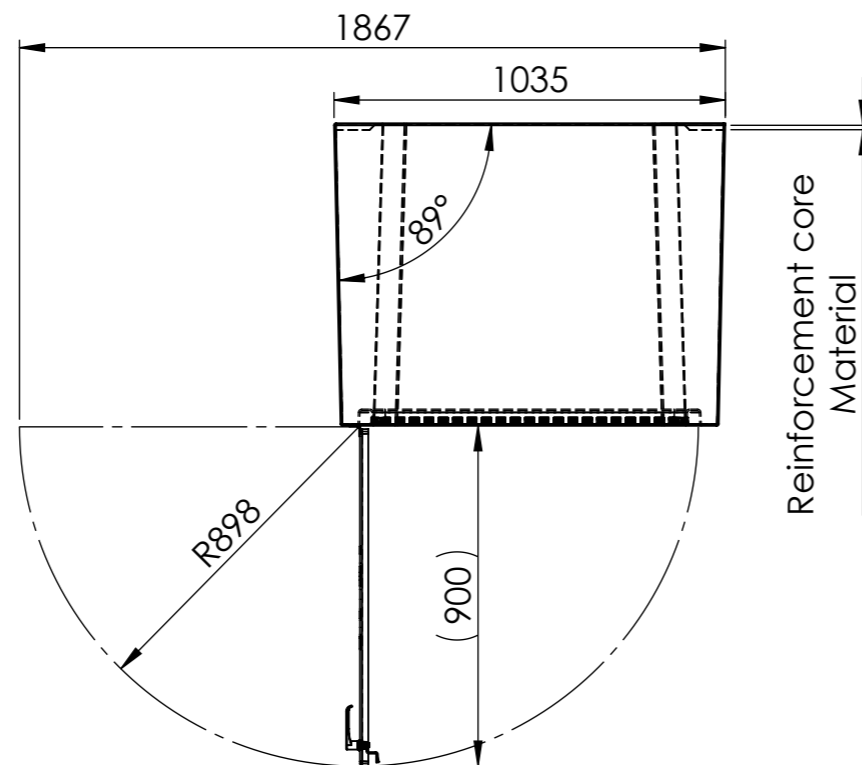
Rear View



Reinforced foot suitable for bolting



Top View



Colour	RALxxxx
Material	3-4mm GRP
Lock and hinges	Stainless steel
Weight cabinet	xxKg
Weight cabinet incl. content	Invulbaar
C.O.G.	X 517 / Y 396 / Z 794 from datum
Text on cabinet	Invulbaar
Tag on cabinet	Invulbaar
Mounting instructions	Invulbaar

Storage for

Dräger	Date	Name	SW Filename
	Drawn 13-2-2023	B.S.	DMO_05_00
Dräger Nederland B.V. Marine & Offshore Beurtschipperstraat 1 3194 DK, Hoogvliet-RT the Netherlands		Comments:	+31 10 2952772
Scale: 1:20	Projection	Description:	Art.Nr:
Units: mm		DMO Cabinet 05	DMO_05
			Sheet 1 of 7
			Format: A3